

AC104 Series

Multi-Purpose Accelerometer, Side Exit Connector / Cable, 100 mV/g



Actual Product Size Shown

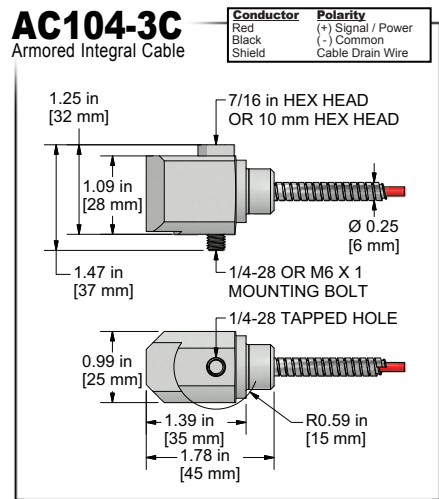
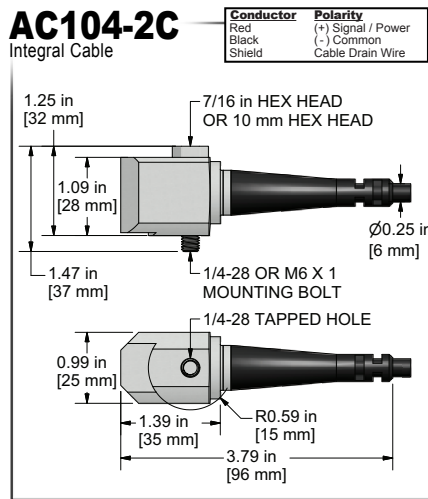
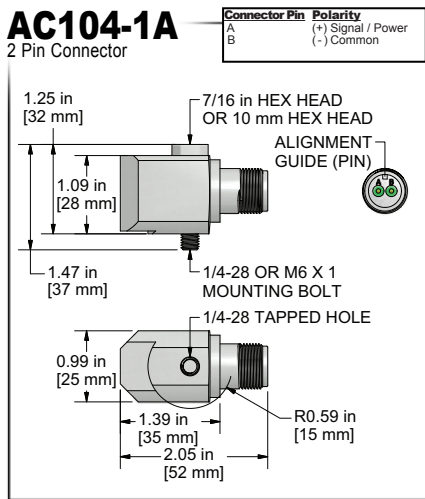


Product Features

CTC's Most Popular Side Exit Sensor!

High Performance in a Low Cost Sensor

- Standard 2 Pin MIL Connection
- Perfect for Thousands of Applications
- Affordably Priced, Hermetically Sealed Sensors



Specifications	Standard	Metric
Part Number	AC104	M/AC104
Sensitivity (±10%)	100 mV/g	
Frequency Response (±3dB)	30-600,000 CPM	0.5-10000 Hz
Frequency Response (±10%)	120-420,000 CPM	2.0-7000 Hz
Dynamic Range	± 50 g, peak	
Electrical		
Settling Time	<2.5 seconds	
Voltage Source	18-30 VDC	
Constant Current Excitation	2-10 mA	
Spectral Noise @ 10 Hz	14 µg/√Hz	
Spectral Noise @ 100 Hz	2.3 µg/√Hz	
Spectral Noise @ 1000 Hz	2 µg/√Hz	
Output Impedance	<100 ohm	
Bias Output Voltage	10-14 VDC	
Case Isolation	>10 ⁸ ohm	

Specifications	Standard	Metric
Environmental		
Temperature Range	-58 to 250°F	-50 to 121°C
Maximum Shock Protection	5,000 g, peak	
Electromagnetic Sensitivity	CE	
Sealing	Welded, Hermetic	
Submersible Depth (AC104-2C)	500 ft.	152 m
Physical		
Sensing Element	PZT Ceramic	
Sensing Structure	Shear Mode	
Weight	5.1 oz	145 grams
Case Material	316L Stainless Steel	
Mounting	1/4-28	
Connector (non-integral)	2 Pin MIL-C-5015	
Resonant Frequency	1,320,000 CPM	22000 Hz
Mounting Torque	2 to 5 ft. lbs.	2.7 to 6.8 Nm
Mounting Hardware	1/4-28 Captive Bolt	M6x1 Captive Bolt
Calibration Certificate	CA10	

Ordering Information

Standard	AC104-1A (1/4-28 Captive Bolt)	AC104-2C - / [] [] [] - [] (1/4-28 Captive Bolt) (length in feet) (termination)	AC104-3C - / [] [] [] / [] [] [] - [] (1/4-28 Captive Bolt) (armor length in feet) (cable length in feet) (termination)
Metric	M/AC104-1A (M6x1 Captive Bolt)	M/AC104-2C - / [] [] [] - [] (M6x1 Captive Bolt) (length in feet) (termination) [] [] [] M - [] (length in meters) (termination)	M/AC104-3C - / [] [] [] / [] [] [] - [] (M6x1 Captive Bolt) (armor length in feet) (cable length in feet) (termination) [] [] [] M / [] [] [] M - [] (armor length in meters) (cable length in meters) (termination)

Cable Termination Options: **E** **F** **Z**



VIBRATION ANALYSIS HARDWARE

Backed by our Unconditional Lifetime Warranty



VIBRATION ANALYSIS HARDWARE

- LEFT CLICK & DRAG TO ROTATE MODEL
- RIGHT CLICK & DRAG TO ZOOM
- HOLD BOTH MOUSE BUTTONS TO PAN



3D DATA SHEET

2 Pin Connector

Integral Cable

Armored Integral Cable



ADOBE® READER® 9.3 RECOMMENDED (Adobe® Reader® 8 Required)

CLICK TO DOWNLOAD!

CLICK HERE FOR HELP

BACK TO MAIN DATA SHEET

