

AC102 Series

Multi-Purpose Accelerometer, Top Exit Connector / Cable, 100 mV/g

SECTION 1 - ACCELEROMETERS



Actual Product Size Shown

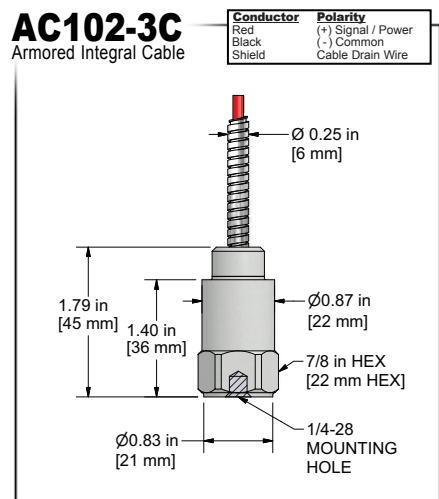
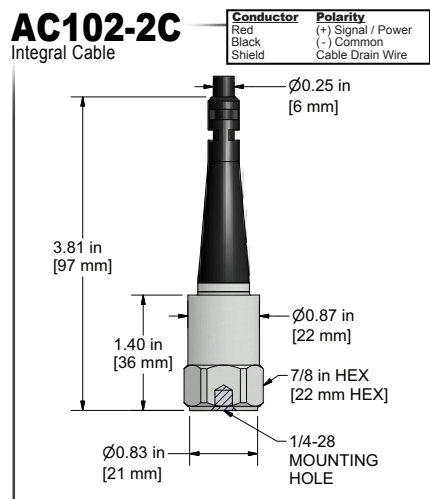
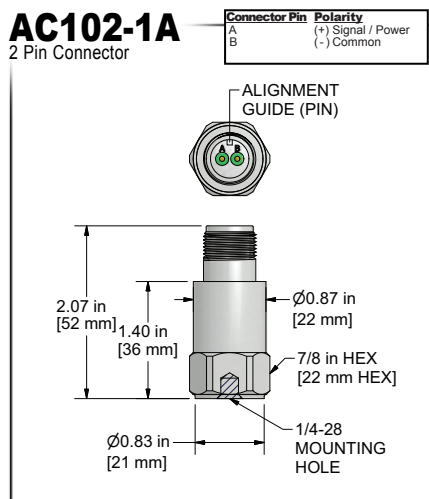


Product Features

CTC's Most Popular Sensor!

High Performance in a Low Cost Sensor

- Standard 2 Pin MIL Connection
- Perfect for Thousands of Applications
- Affordably Priced, Hermetically Sealed Sensors



Specifications	Standard	Metric
Part Number	AC102	M/AC102
Sensitivity (±10%)		100 mV/g
Frequency Response (±3dB)	30-900,000 CPM	0.5-15000 Hz
Frequency Response (±10%)	120-600,000 CPM	2.0-10000 Hz
Dynamic Range		± 50 g, peak
Electrical		
Settling Time		<2.5 seconds
Voltage Source		18-30 VDC
Constant Current Excitation		2-10 mA
Spectral Noise @ 10 Hz		14 µg/√Hz
Spectral Noise @ 100 Hz		2.3 µg/√Hz
Spectral Noise @ 1000 Hz		2 µg/√Hz
Output Impedance		<100 ohm
Bias Output Voltage		10-14 VDC
Case Isolation		>10 ⁸ ohm

Specifications	Standard	Metric
Environmental		
Temperature Range	-58 to 250°F	-50 to 121°C
Maximum Shock Protection		5,000 g, peak
Electromagnetic Sensitivity		CE
Sealing		Welded, Hermetic
Submersible Depth (AC102-2C)	500 ft.	152 m
Physical		
Sensing Element		PZT Ceramic
Sensing Structure		Shear Mode
Weight	3.2 oz	90 grams
Case Material		316L Stainless Steel
Mounting		1/4-28
Connector (non-integral)		2 Pin MIL-C-5015
Resonant Frequency	1,380,000 CPM	23000 Hz
Mounting Torque	2 to 5 ft. lbs.	2.7 to 6.8 Nm
Mounting Hardware	1/4-28 Stud	M6x1 Adapter Stud
Calibration Certificate		CA10

Ordering Information

Standard	AC102-1A (1/4-28 Stud)	AC102-2C (1/4-28 Stud)	- / [] - [] (length in feet) (termination)	AC102-3C (1/4-28 Stud)	- / [] / [] - [] (armor length in feet) (cable length in feet) (termination)
Metric	M/AC102-1A (M6x1 Adapter Stud)	M/AC102-2C (M6x1 Adapter Stud)	- / [] - [] (length in feet) (termination) [] M - [] (length in meters) (termination)	M/AC102-3C (M6x1 Adapter Stud)	- / [] / [] - [] (armor length in feet) (cable length in feet) (termination) [] M / [] M - [] (armor length in meters) (cable length in meters) (termination)

Cable Termination Options: E F Z

Backed by our Unconditional Lifetime Warranty

www.ctconline.com





VIBRATION ANALYSIS HARDWARE

- LEFT CLICK & DRAG TO ROTATE MODEL
- RIGHT CLICK & DRAG TO ZOOM
- HOLD BOTH MOUSE BUTTONS TO PAN



2 Pin Connector

Integral Cable

Armored Integral Cable



ADOBE®
READER® 9.3
RECOMMENDED
(Adobe® Reader® 8 Required)

CLICK TO DOWNLOAD!

CLICK HERE FOR HELP

BACK TO MAIN
DATA SHEET

