

Dual Output Sensor, Loop Power 4-20 mA, Acceleration, Dynamic Acceleration, Top Exit Connector



Actual Product Size Shown

Product Features

Offers Continuous Protection Plus Dynamic Outputs for Diagnostics

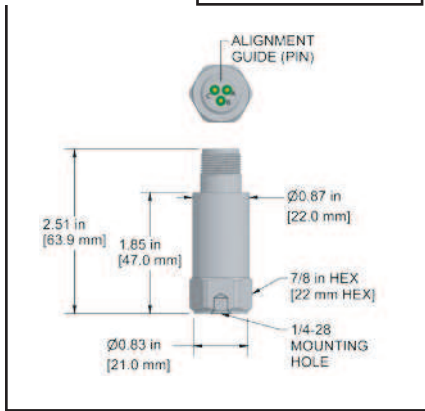
IEPE sensor power not required

- 4-20 mA Acceleration and Dynamic Acceleration Outputs
- Analytical Tool
- Outputs to PLC, DCS, SCADA



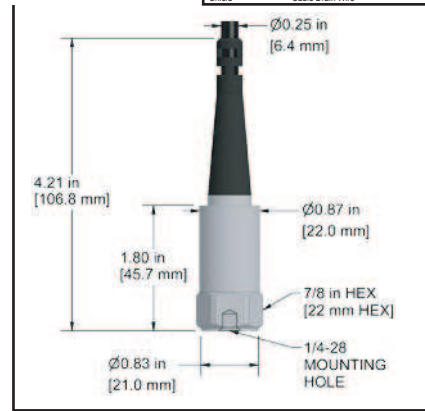
LP404-1B 3 Pin Connector

Connector Pin	Polarity
A	(+) Loop Power mA Output
B	(-) Common
C	(+) Dynamic Acceleration Output



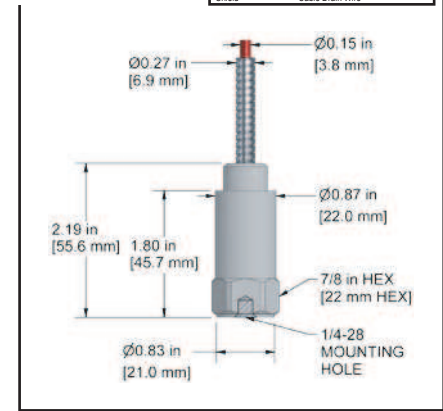
LP404-2C Integral Cable

Conductor	Polarity
Red	(+) Loop Power mA Output
Black	(-) Common
White	(+) Dynamic Acceleration Output
Shield	Cable Drain Wire



LP404-3C Armored Integral Cable

Conductor	Polarity
Red	(+) Loop Power mA Output
Black	(-) Common
White	(+) Dynamic Acceleration Output
Shield	Cable Drain Wire



Specifications	Standard	Metric
Output, 4-20 mA		
Measurement Range	See Selection Guide	
<u>Tolerances</u>		
4 mA		(± 5%)
20 mA		(± 10%)
Dynamic Output Acceleration	IEPE sensor power not required	
Sensitivity	± 10%	100 mV/g
Frequency Response	± 3 dB	120-900,000 CPM
		2,0-15000 Hz
<u>Electrical</u>		
Settling Time (Turn on Time) @ Room Temp (68°F/20°C)		<60 Seconds
Power Requirement (Loop Powered)		12-28 VDC
Electrical Case Isolation		>10 ⁸ ohm
<u>Environmental</u>		
Temperature Range	-40 to 185°F	-40 to 85°C
Electromagnetic Sensitivity		CE
Sealing		IP68
Submersible Depth (LP404-2C/3C)	200 ft.	60 m

Specifications	Standard	Metric
<u>Physical</u>		
Sensing Element		PZT Ceramic
Sensing Structure		Shear Mode
Weight (without cable)	3.7 oz	105 grams
Case Material		316L Stainless Steel
Mounting Hole		1/4-28
Connector (LP404-1B)		3 Pin MIL-C-5015
Integral Cable (LP404-2C)		Polyurethane Jacketed Cable
Armored Cable (LP404-3C)		Armor Jacketed Cable
<u>Mechanical</u>		
Mounting Torque	2 to 5 ft. lbs.	2,7 to 6,8 Nm
<u>Supplied Accessories</u>		
Mounting Hardware	1/4-28 Stud	M6x1 Adapter Stud
Calibration Certificate		
		CA10 (dynamic)
		Current Output @ 100 Hz (4-20)

Ordering Information



/LP404 - / - Z

Stud Type	Measurement Range	Range Type	Frequency Range +/- 3dB	Style	Armor Length (Integral)	Cable Length (Integral)
M = M6x1 (blank for 1/4-28)	0 = 0-1 g 2 = 0-2 g 5 = 0-5 g 10 = 0-10 g 20 = 0-20 g	R = RMS P = Peak	1 = 600-60,000 CPM (10-1000 Hz) 2 = 180-150,000 CPM (3-2500 Hz)	1B = 3 Pin MIL C-5015 2C = Integral Cable 3C = Armor Jacket	010 = 10 ft. (3 m) 020 = 20 ft. (6 m) 030 = 30 ft. (9 m) 050 = 50 ft. (15 m) 100 = 100 ft. (30 m) <i>(Custom lengths available upon request)</i>	010 = 10 ft. (3 m) 020 = 20 ft. (6 m) 030 = 30 ft. (9 m) 050 = 50 ft. (15 m) 100 = 100 ft. (30 m) <i>(Custom lengths available upon request)</i>



Lifetime Warranty on Materials & Workmanship