

Loop Power Sensor, Acceleration, 4-20 mA Output, With 10 mV/°C Temperature Output, Side Exit Connector/Cable



Product Features

Acceleration Output for Higher Frequency Applications with Temperature Output

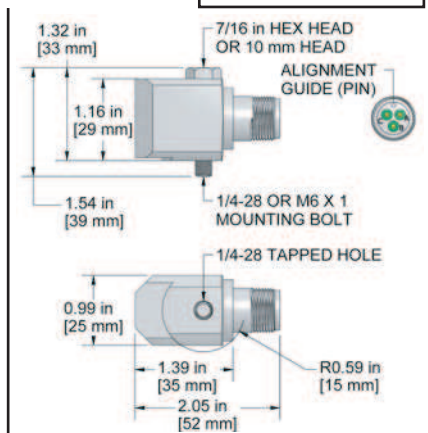
- Peak and RMS Outputs Available
- Enables Vibrational Alarms for Process Control
- Outputs to PLC, DCS, SCADA



Actual Product Size Shown

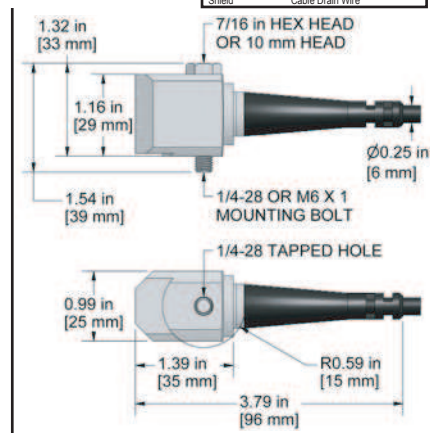
LP334-1D 3 Pin Connector

Connector Pin	Polarity
A	(+) Signal / Power
B	(-) Common
C	(+) Temperature Voltage



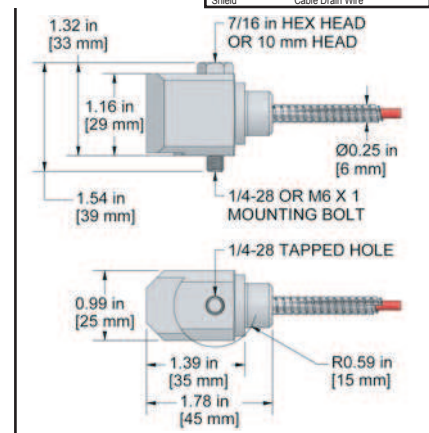
LP334-2D Integral Cable

Conductor	Polarity
Red	(+) Signal / Power
Black	(-) Common
White	(+) Temperature Voltage
Shield	Cable Drain Wire



LP334-3D Armored Integral Cable

Conductor	Polarity
Red	(+) Signal / Power
Black	(-) Common
White	(+) Temperature Voltage
Shield	Cable Drain Wire



Specifications	Standard	Metric
Output, 4-20 mA	See Selection Guide	
Temperature Output	10 mV/°C	
Temperature Range	-40 to 185°F	-40 to 85°C
<u>Tolerances</u>		
4 mA	(± 5%)	
20 mA	(± 10%)	
Temperature	(± 5°C)	
<u>Electrical</u>		
Settling Time (Turn on Time) @ Room Temp (68°F/20°C)	<30 Seconds	
Power Requirement (Loop Powered) Voltage Source	15-30 VDC	
Electrical Case Isolation	>10 ⁸ ohm	
<u>Environmental</u>		
Electromagnetic Sensitivity	CE	

Specifications	Standard	Metric
Sealing	IP68	
Submersible Depth (LP334-2C/3C)	200 ft.	60 m
<u>Physical</u>		
Sensing Element	PZT Ceramic	
Sensing Structure	Shear Mode	
Weight (without cable)	4.9 oz	140 grams
Case Material	316L Stainless Steel	
Mounting Hole	1/4-28	
Connector (LP334-1D)	3 Pin MIL-C-5015	
Integral Cable (LP334-2D)	Polyurethane Jacketed Cable	
Armored Cable (LP334-3D)	Armor Jacketed Cable	
<u>Mechanical</u>		
Mounting Torque	2 to 5 ft. lbs.	2,7 to 6,8 Nm
<u>Supplied Accessories</u>		
Mounting Hardware	1/4-28 Captive Bolt	M6x1 Captive Bolt
Calibration Certificate	Current Output @ 100 Hz	

Ordering Information



/LP334 - - / / -Z

Stud Type	Measurement Range	Range Type	Frequency Range +/- 3dB	Style	Armor Length (Integral)	Cable Length (Integral)
M = M6x1 (blank for 1/4-28)	0 = 0-1 g 2 = 0-2 g 5 = 0-5 g 10 = 0-10 g 20 = 0-20 g	R = RMS P = Peak	1 = 600-60,000 CPM (10-1000 Hz) 2 = 180-150,000 CPM (3-2500 Hz) 3 = 180-60,000 CPM (3-1000 Hz) 4 = 180-300,000 CPM (3-5000 Hz)	1D = 3 Pin MIL C-5015 2D = Integral Cable 3D = Armor Jacket	010 = 10 ft. (3 m) 020 = 20 ft. (6 m) 030 = 30 ft. (9 m) 050 = 50 ft. (15 m) 100 = 100 ft. (30 m) <i>(Custom lengths available upon request)</i>	010 = 10 ft. (3 m) 020 = 20 ft. (6 m) 030 = 30 ft. (9 m) 050 = 50 ft. (15 m) 100 = 100 ft. (30 m) <i>(Custom lengths available upon request)</i>



Lifetime Warranty on Materials & Workmanship