

Loop Power Sensor, Acceleration, 4-20 mA Output, Side Exit Connector/Cable



Product Features

Acceleration Output for Higher Frequency Applications

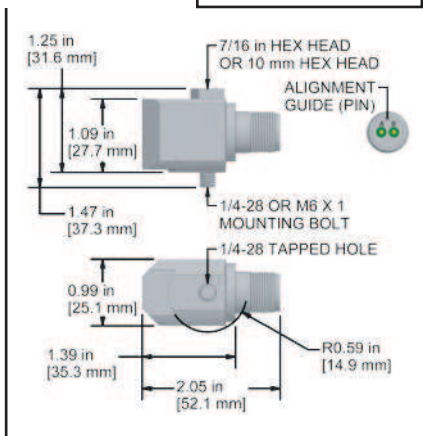
- Peak and RMS Outputs Available
- Enables Vibrational Alarms for Process Control
- Outputs to PLC, DCS, SCADA



Actual Product Size Shown

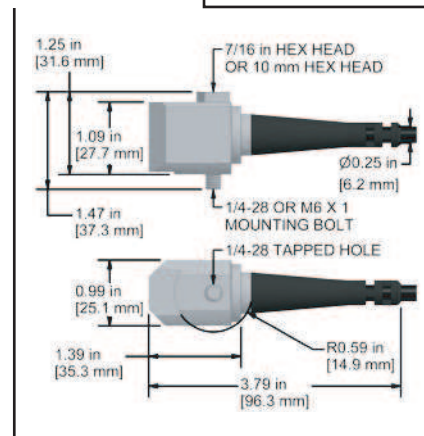
LP304-1D 2 Pin Connector

Connector Pin	Polarity
A	(+) Loop Power mA Output
B	(-) Common



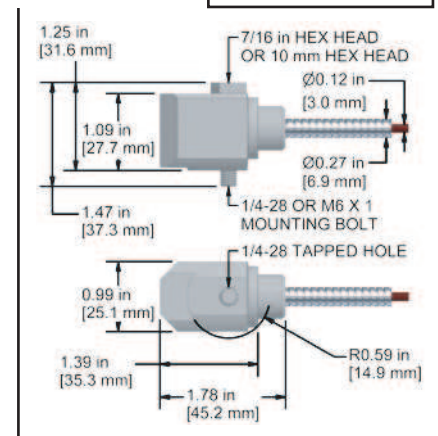
LP304-2D Integral Cable

Conductor	Polarity
Red	(+) Loop Power mA Output
Black	(-) Common
Shield	Cable Drain Wire



LP304-3D Armored Integral Cable

Conductor	Polarity
Red	(+) Loop Power mA Output
Black	(-) Common
Shield	Cable Drain Wire



Specifications	Standard	Metric
Output, 4-20 mA	See Selection Guide	
Measurement Range		
<u>Tolerances</u>		
4 mA	(± 5%)	
20 mA	(± 10%)	
<u>Electrical</u>		
Settling Time (Turn on Time) @ Room Temp (68°F/20°C)	<30 Seconds	
Power Requirement (Loop Powered) Voltage Source	15-30 VDC	
Electrical Case Isolation	>10 ⁸ ohm	
<u>Environmental</u>		
Temperature Range	-40 to 185°F	-40 to 85°C
Electromagnetic Sensitivity	CE	
Sealing	IP68	
Submersible Depth (LP304-2C/3C)	200 ft.	60 m

Specifications	Standard	Metric
<u>Physical</u>		
Sensing Element	PZT Ceramic	
Sensing Structure	Shear Mode	
Weight (without cable)	4.9 oz	140 grams
Case Material	316L Stainless Steel	
Mounting Hole	1/4-28	
Connector (LP304-1D)	2 Pin MIL-C-5015	
Integral Cable (LP304-2D)	Polyurethane Jacketed Cable	
Armored Cable (LP304-3D)	Armor Jacketed Cable	
<u>Mechanical</u>		
Mounting Torque	2 to 5 ft. lbs.	2,7 to 6,8 Nm
<u>Supplied Accessories</u>		
Mounting Hardware	1/4-28 Captive Bolt	M6x1 Captive Bolt
Calibration Certificate	Current Output @ 100 Hz	

All Products Are Built To Order

Ordering Information

/LP304 - - / / -Z

Stud Type	Measurement Range	Range Type	Frequency Range +/- 3dB	Style	Armor Length (Integral)	Cable Length (Integral)
M = M6x1 (blank for 1/4-28)	0 = 0-1 g	R = RMS	1 = 600-60,000 CPM (10-1000 Hz)	1D = 2 Pin MIL C-5015	010 = 10 ft. (3 m)	010 = 10 ft. (3 m)
	2 = 0-2 g	P = Peak	2 = 180-150,000 CPM (3-2500 Hz)	2D = Integral Cable	020 = 20 ft. (6 m)	020 = 20 ft. (6 m)
	5 = 0-5 g		3 = 180-60,000 CPM (3-1000 Hz)	3D = Armor Jacket	030 = 30 ft. (9 m)	030 = 30 ft. (9 m)
	10 = 0-10 g		4 = 180-300,000 CPM (3-5000 Hz)		050 = 50 ft. (15 m)	050 = 50 ft. (15 m)
	20 = 0-20 g				100 = 100 ft. (30 m)	100 = 100 ft. (30 m)
					<i>(Custom lengths available upon request)</i>	



Lifetime Warranty on Materials & Workmanship

SECTION 6 - PROFIN LINE