

Low Cost, Loop Power Vibration Sensor, Velocity, 4-20 mA Output, Side Exit M12 Connector, M8 Captive Bolt

Product Features

Continuously Monitor & Protect Important Machinery



M8 Captive Bolt

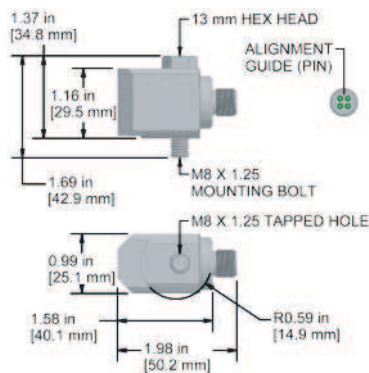
Actual Product Size Shown

- 4-20 mA current proportional to Vibration
- M8 Captive Bolt
- Customize Your Settings to Focus on the Most Important Frequencies

LP258-M12D

4 Pin Connector

Connector Pin	Polarity
A	(+) Signal/Power
B	(-) Common
C	Not Used
D	Not Used



Specifications	Standard	Metric
Output, 4-20 mA	See Selection Guide	
Measurement Range		
<u>Tolerances</u>		
4 mA	(± 5%)	
20 mA	(± 15%)	
<u>Electrical</u>		
Power Requirement (Loop Powered)	15-30 VDC	
Voltage Source		
Electrical Case Isolation	>10 ⁹ ohm	
<u>Environmental</u>		
Temperature Range	-40 to 185°F	-40 to 85°C
Electromagnetic Sensitivity	CE	
Sealing	IP68	

Specifications	Standard	Metric
<u>Physical</u>		
Sensing Element	PZT Ceramic	
Sensing Structure	Shear Mode	
Weight	6.0 oz	170 grams
Case Material	316L Stainless Steel	
Mounting	M8	
Connector (LP258-XXX-M12D)	4 Pin M12	
<u>Mechanical</u>		
Mounting Torque	2 to 5 ft. lbs.	2,7 to 6,8 Nm
<u>Supplied Accessories</u>		
Mounting Hardware	M8 x 1.25 Captive Bolt	
Calibration Certificate	Current Output @ 100 Hz	

Ordering Information

LP258- - **M 1 2 D**

Measurement Range	Range Type	Frequency Range +/- 3dB	Style
0 = 0-0.5 IPS (0-12,7 mm/sec)	R = RMS	1 = 600-60,000 CPM (10-1000 Hz)	M12D = 4 Pin M12
1 = 0-1 IPS (0-25,4 mm/sec)	P = Peak	2 = 180-150,000 CPM (3-2500 Hz)	
2 = 0-2 IPS (0-50,8 mm/sec)			
3 = 0-10 mm/sec (0-0,4 IPS)			
4 = 0-20 mm/sec (0-0,8 IPS)			



Lifetime Warranty on Materials & Workmanship

www.ctconline.com



Section 6 - BROUING LINE