

Dual Output Temperature/Acceleration, Side Exit Connector/Cable, 100 mV/g, 10 mV/°C

Section I - Vibration Sensors



Actual Product Size Shown



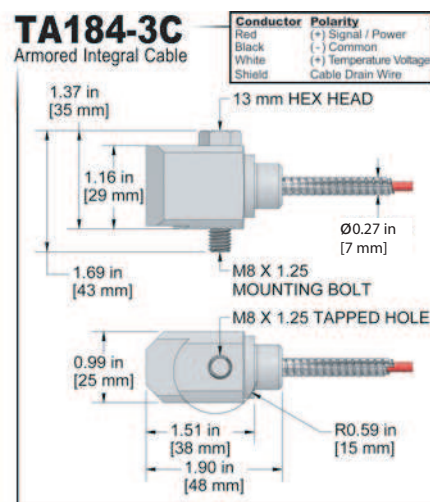
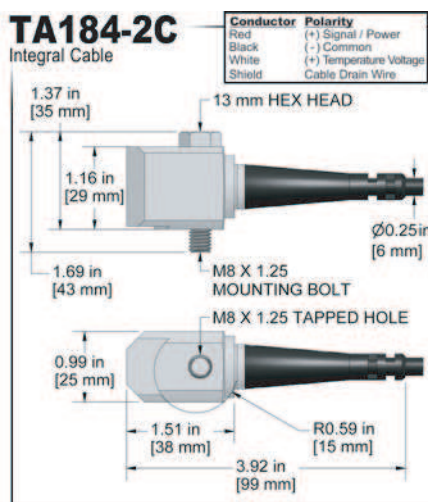
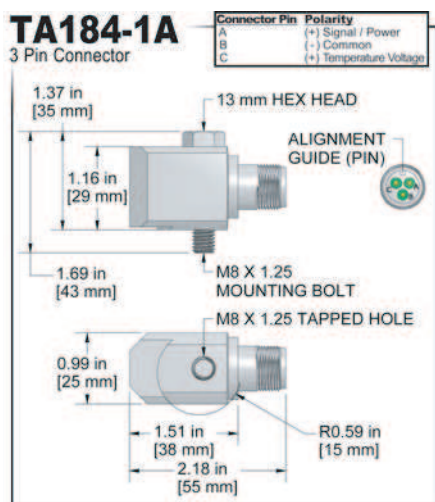
M8 Captive Bolt

Requires **Multi-Conductor Cable**

Product Features

Temperature/Vibration Sensors
10 mV/°C

- Standard 3 Pin MIL Connection
- High Performance in a Low Cost Sensor
- Requires Multi-Conductor Cable and Dual IEPE Power



Specifications	Standard	Metric
Part Number	TA184	
Sensitivity (±10%)	100 mV/g	
Frequency Response (±3dB)	30-900,000 CPM	0,5-15000 Hz
Frequency Response (±10%)	120-600,000 CPM	2,0-10000 Hz
Dynamic Range	± 50 g, peak	
Temperature Measurement Range	37° to 250° F	3° to 121° C
Temperature Output	10 mV/°C	
Electrical		
Settling Time	<2.5 seconds	
Voltage Source (IEPE)	18-30 VDC	
Constant Current Excitation	2-10 mA	
Spectral Noise @ 10 Hz	8 µg/√Hz	
Spectral Noise @ 100 Hz	.82 µg/√Hz	
Spectral Noise @ 1000 Hz	.3 µg/√Hz	
Output Impedance	<100 ohm	
Bias Output Voltage	10-14 VDC	
Case Isolation	>10 ⁸ ohm	

Specifications	Standard	Metric
Environmental		
Temperature Range	-40 to 250°F	-40 to 121°C
Maximum Shock Protection	5,000 g, peak	
Sealing	IP68	
Submersible Depth (TA184-2C/3C)	200 ft.	60 m
Physical		
Sensing Element	PZT Ceramic	
Sensing Structure	Shear Mode	
Weight	6.3 oz	180 grams
Case Material	316L Stainless Steel	
Mounting	M8	
Connector (non-integral)	3 Pin MIL-C-5015	
Resonant Frequency	1,380,000 CPM	23000 Hz
Mounting Torque	2 to 5 ft. lbs.	2,7 to 6,8 Nm
Mounting Hardware	M8 Captive Bolt	
Calibration Certificate	CA10	

Ordering Information

Metric

TA184-1A (M8x1 Captive Bolt)	TA184-2C - / (M8x1 Captive Bolt)	<input type="text"/> <input type="text"/> <input type="text"/> <input type="text"/> (length in feet) <input type="text"/> (termination)	TA184-3C - / (M8x1 Captive Bolt)	<input type="text"/> <input type="text"/> <input type="text"/> <input type="text"/> (maximum armor length 100 ft.) / <input type="text"/> <input type="text"/> <input type="text"/> (cable length in feet) <input type="text"/> (termination)
---------------------------------	-------------------------------------	---	-------------------------------------	---

Stock Product (green circle) Build To Order (yellow circle)



Backed by our Unconditional Lifetime Warranty

