

**Dual Output, Temperature/Acceleration, Side Exit Connector/Cable, 100 mV/g, 10 mV/K**

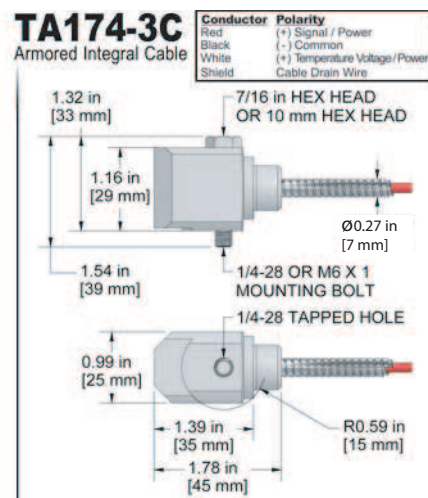
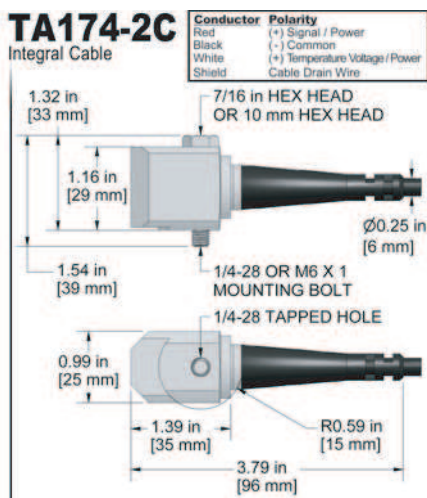
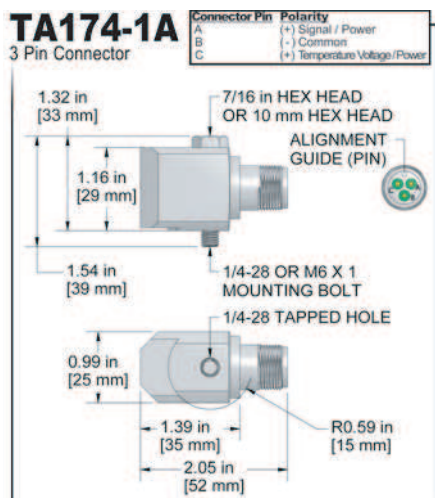
## 10 mV/K Product Features

**Temperature Measurement Range of -40° to 212°F (-40° to 100°C)**

Actual Product Size Shown



- Standard 3 Pin MIL Connection
- Requires Multi-Conductor Cable and Dual IEPE Power
- Compatible with Comtest vbOnline™ Series and Bently Nevada™ SCOUT Series Data Collectors



Specifications	Standard	Metric
Part Number	TA174	M/TA174
Sensitivity ( ±10%)	100 mV/g	
Frequency Response (±3dB)	30-600,000 CPM	0,5-10000 Hz
Frequency Response (±10%)	120-300,000 CPM	2,0-5000 Hz
Dynamic Range	± 50 g, peak	
Temperature Measurement Range	-40° to 212° F	-40° to 100° C
Temperature Output	10 mV/K	
<b>Electrical</b>		
Settling Time	<2.5 seconds	
Voltage Source (IEPE)	18-30 VDC	
Constant Current Excitation	2-10 mA	
Spectral Noise @ 10 Hz	14 µg/√Hz	
Spectral Noise @ 100 Hz	2.3 µg/√Hz	
Spectral Noise @ 1000 Hz	2 µg/√Hz	
Output Impedance	<100 ohm	
Bias Output Voltage	10-14 VDC	
Case Isolation	>10 <sup>8</sup> ohm	

Specifications	Standard	Metric
<b>Environmental</b>		
Temperature Range	-40 to 250°F	-40 to 121°C
Maximum Shock Protection	5,000 g, peak	
Electromagnetic Sensitivity	n/a	
Sealing	IP68	
Submersible Depth (TA174-2C/3C)	200 ft.	60 m
<b>Physical</b>		
Sensing Element	PZT Ceramic	
Sensing Structure	Shear Mode	
Weight	5.6 oz	160 grams
Case Material	316L Stainless Steel	
Mounting	1/4-28	
Connector (non-integral)	3 Pin MIL-C-5015	
Resonant Frequency	1,320,000 CPM	22000 Hz
Mounting Torque	2 to 5 ft. lbs.	2,7 to 6,8 Nm
Mounting Hardware	1/4-28 Captive Bolt	M6x1 Captive Bolt
<b>Calibration Certificate</b>	CA10	

## Ordering Information

Standard	TA174-1A (1/4-28 Captive Bolt)	TA174-2C - / (1/4-28 Captive Bolt)	TA174-3C - / (1/4-28 Captive Bolt)
	Stock Product	Build To Order	Build To Order
	(length in feet) (termination)	(length in feet) (termination)	(maximum armor length 100 ft.) (cable length in feet) (termination)
Metric	M/TA174-1A (M6x1 Captive Bolt)	M/TA174-2C - / (M6x1 Captive Bolt)	M/TA174-3C - / (M6x1 Captive Bolt)
	Stock Product	Build To Order	Build To Order
	(length in meters) (termination)	(length in meters) (termination)	(maximum armor length 30 m) (cable length in meters) (termination)

Cable Termination Options: L Z

Backed by our Unconditional Lifetime Warranty



Section I - Vibration Sensors