

Dual Output High g Accelerometer, Temperature/Acceleration Top Exit Connector/Cable, 10 mV/g, 10 mV/°C

Section I - Vibration Sensors

Actual Product Size Shown

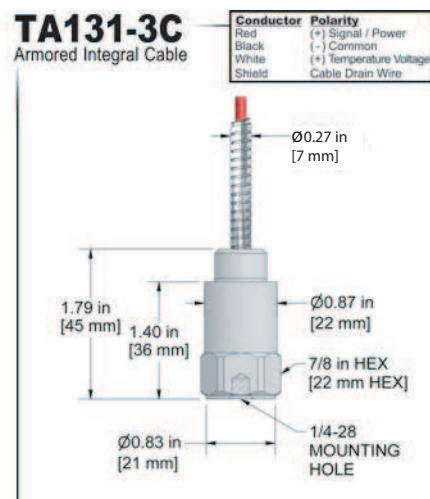
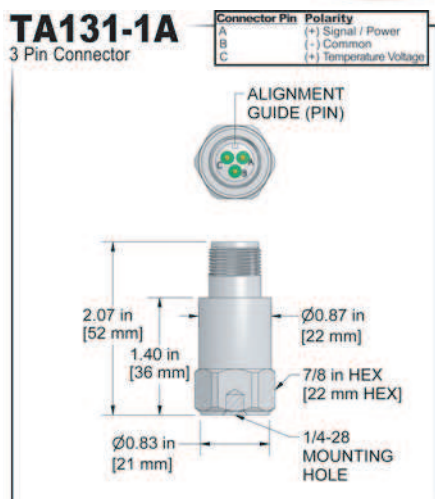


Requires **Multi-Conductor Cable**

Product Features

Temperature Output 10 mV/°C
High Performance at a Reasonable Price

- Standard 3 Pin MIL Connection
- Temperature and Acceleration in One Sensor
- Affordably Priced



Specifications	Standard	Metric
Part Number	TA131	M/TA131
Sensitivity (±10%)	10 mV/g	
Frequency Response (±3dB)	72-900,000 CPM	1,2-15000 Hz
Frequency Response (±10%)	150-360,000 CPM	2,5-6000 Hz
Dynamic Range	± 500 g, peak	
Temperature Measurement Range	37° to 250° F	3° to 121° C
Temperature Output	10 mV/°C	
Electrical		
Settling Time	<2 seconds	
Voltage Source (IEPE)	18-30 VDC	
Constant Current Excitation	2-10 mA	
Spectral Noise @ 10 Hz	300 µg/√Hz	
Spectral Noise @ 100 Hz	30 µg/√Hz	
Spectral Noise @ 1000 Hz	6 µg/√Hz	
Output Impedance	<100 ohm	
Bias Output Voltage	10-14 VDC	
Case Isolation	>10 ⁸ ohm	

Specifications	Standard	Metric
Environmental		
Temperature Range	-40 to 250°F	-40 to 121°C
Maximum Shock Protection	5,000 g, peak	
Electromagnetic Sensitivity	CE	
Sealing	IP68	
Submersible Depth (TA131-2C/3C)	200 ft.	60 m
Physical		
Sensing Element	PZT Ceramic	
Sensing Structure	Shear Mode	
Weight	3.2 oz	90 grams
Case Material	316L Stainless Steel	
Mounting	1/4-28	
Connector (non-integral)	3 Pin MIL-C-5015	
Resonant Frequency	1,380,000 CPM	23000 Hz
Mounting Torque	2 to 5 ft. lbs.	2,7 to 6,8 Nm
Mounting Hardware	1/4-28 Stud	M6x1 Adapter Stud
Calibration Certificate	CA10	

Ordering Information

Standard	TA131-1A (1/4-28 Stud)	TA131-2C - / (1/4-28 Stud)	TA131-3C - / (1/4-28 Stud)
	Stock Product	Build To Order	Build To Order
Metric	M/TA131-1A (M6x1 Adapter Stud)	M/TA131-2C - / (M6x1 Adapter Stud)	M/TA131-3C - / (M6x1 Adapter Stud)
	Stock Product	Build To Order	Build To Order

Cable Termination Options: L Z

Backed by our Unconditional Lifetime Warranty

