

Dual Output, Temperature/Acceleration, Side Exit Connector/Cable, 100 mV/g, 10 mV/°C

Requires **Multi-Conductor Cable**

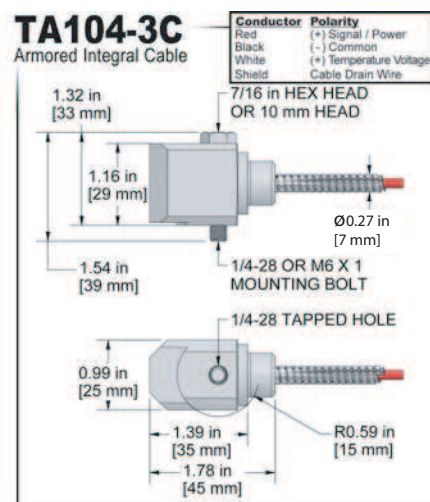
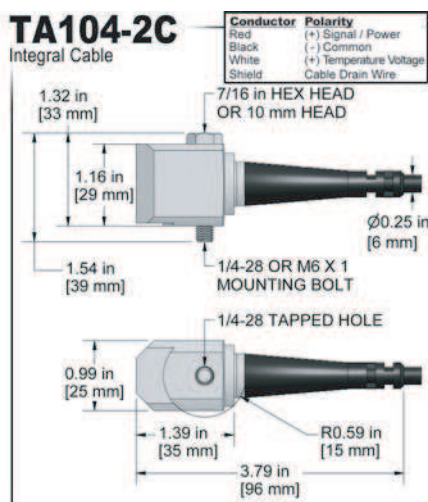
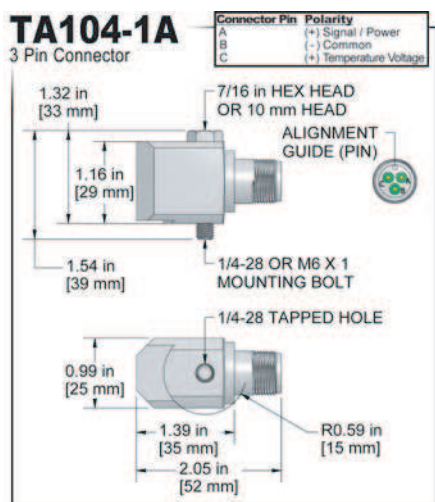
Product Features

Temperature Output 10 mV/°C
High Performance in a Low Cost Sensor

Actual Product Size Shown



- Standard 3 Pin MIL Connection
- Temperature and Acceleration in One Sensor
- Affordably Priced



Specifications	Standard	Metric
Part Number	TA104	M/TA104
Sensitivity (±10%)	100 mV/g	100 mV/g
Frequency Response (±3dB)	30-600,000 CPM	0.5-10000 Hz
Frequency Response (±10%)	120-300,000 CPM	2.0-5000 Hz
Dynamic Range	± 80 g, peak	± 80 g, peak
Temperature Measurement Range	37° to 250° F	3° to 121° C
Temperature Output	10 mV/°C	10 mV/°C
Electrical		
Settling Time	<2.5 seconds	<2.5 seconds
Voltage Source (IEPE)	18-30 VDC	18-30 VDC
Constant Current Excitation	2-10 mA	2-10 mA
Spectral Noise @ 10 Hz	8 µg/√Hz	8 µg/√Hz
Spectral Noise @ 100 Hz	0.82 µg/√Hz	0.82 µg/√Hz
Spectral Noise @ 1000 Hz	0.3 µg/√Hz	0.3 µg/√Hz
Output Impedance	<100 ohm	<100 ohm
Bias Output Voltage	10-14 VDC	10-14 VDC
Case Isolation	>10 ⁸ ohm	>10 ⁸ ohm

Specifications	Standard	Metric
Environmental		
Temperature Range	-40 to 250°F	-40 to 121°C
Maximum Shock Protection	5,000 g, peak	5,000 g, peak
Electromagnetic Sensitivity	CE	CE
Sealing	IP68	IP68
Submersible Depth (TA104-2C/3C)	200 ft.	60 m
Physical		
Sensing Element	PZT Ceramic	PZT Ceramic
Sensing Structure	Shear Mode	Shear Mode
Weight	5.6 oz	160 grams
Case Material	316L Stainless Steel	316L Stainless Steel
Mounting	1/4-28	1/4-28
Connector (non-integral)	3 Pin MIL-C-5015	3 Pin MIL-C-5015
Resonant Frequency	1,260,000 CPM	21000 Hz
Mounting Torque	2 to 5 ft. lbs.	2,7 to 6,8 Nm
Mounting Hardware	1/4-28 Captive Bolt	M6x1 Captive Bolt
Calibration Certificate	CA10	CA10

Ordering Information

Standard	TA104-1A (1/4-28 Captive Bolt)	TA104-2C - / (1/4-28 Captive Bolt)	TA104-3C - / (1/4-28 Captive Bolt)
Metric	M/TA104-1A (M6x1 Captive Bolt)	M/TA104-2C - / (M6x1 Captive Bolt)	M/TA104-3C - / (M6x1 Captive Bolt)

Cable Termination Options: L Z



Backed by our Unconditional Lifetime Warranty