

Low Capacitance, IEC Certified (IECEX), Intrinsically Safe Accelerometer, Top Exit Connector/Cable, 100 mV/g



Actual Product Size Shown

IECEX



Requires **Intrinsically Safe Barrier**

Product Features

IECEX Approvals

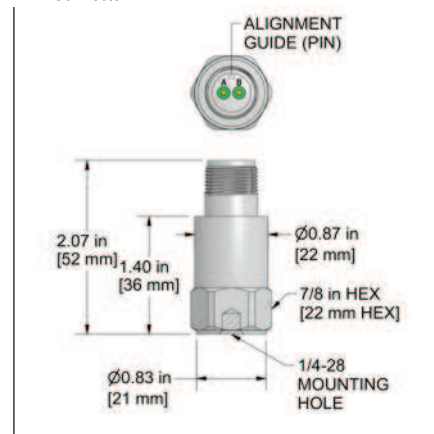
High Performance in a Low Cost Sensor

- 0.5 - 15000 Hz (30 - 900,000 CPM) Frequency Response
- 100 mV/g Sensitivity ±10%
- Requires Intrinsic Safety Barrier (see page 348)

AC965-1A

2 Pin Connector

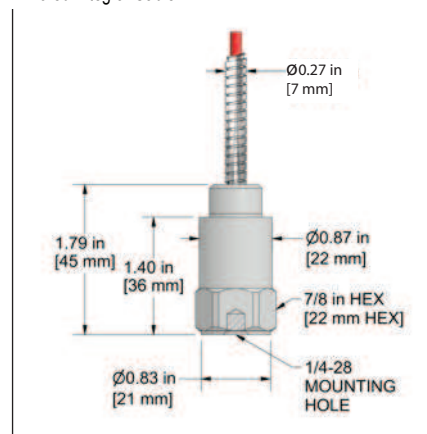
Connector Pin	Polarity
A	(+) Signal / Power
B	(-) Common



AC965-3C

Armored Integral Cable

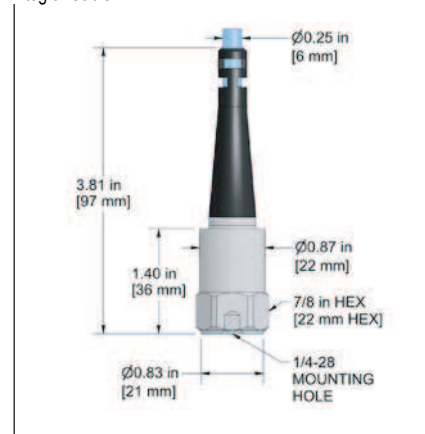
Conductor	Polarity
Red	(+) Signal / Power
Black	(-) Common
Shield	Cable Drain Wire



AC965-9C

Integral Cable

Conductor	Polarity
Red	(+) Signal / Power
Black	(-) Common
Shield	Cable Drain Wire



Specifications	Standard	Metric
Part Number	AC965	M/AC965
Sensitivity (±10%)	100 mV/g	
Frequency Response (±3dB)	30-900,000 CPM	0,5-15000 Hz
Frequency Response (±10%)	60-600,000 CPM	1,0-10000 Hz
Dynamic Range	± 50 g, peak	
Electrical		
Settling Time	<3 Seconds	
Voltage Source (IEPE)	18-28 VDC	
Constant Current Excitation	2-10 mA	
Spectral Noise @ 10 Hz	30 µg/√Hz	
Spectral Noise @ 100 Hz	19 µg/√Hz	
Spectral Noise @ 1000 Hz	15 µg/√Hz	
Output Impedance	<100 ohm	
Bias Output Voltage	10-14 VDC	
Case Isolation	>10 ⁸ ohm	

Specifications	Standard	Metric
Environmental		
Temperature Range	-40° to 250°F	-40° to 121°C
Maximum Shock Protection	5,000 g, peak	
Electromagnetic Sensitivity	CE	
Sealing	IP68	
Physical		
Sensing Element	PZT Ceramic	
Sensing Structure	Shear Mode	
Weight	3.2 oz	91 grams
Case Material	316L Stainless Steel	
Mounting	1/4-28	
Connector (non-integral)	2 Pin MIL-C-5015	
Resonant Frequency	1,380,000 CPM	23000 Hz
Mounting Torque	2 to 5 ft. lbs.	2,7 to 6,8 Nm
Mounting Hardware	1/4-28 Stud	M6x1 Adapter Stud
Calibration Certificate	CA10	

Ordering Information

Standard	AC965-1A (1/4-28 Stud)	AC965-3C - / (1/4-28 Stud)	AC965-9C - / (1/4-28 Stud)
Metric	M/AC965-1A (M6x1 Adapter Stud)	M/AC965-3C - / (M6x1 Adapter Stud)	M/AC965-9C - / (M6x1 Adapter Stud)

Read Before Purchasing
Important information on
Regulatory Approvals and Requirements
on Page 97

Cable Termination Options: L Z



VIBRATION ANALYSIS HARDWARE

Backed by our Unconditional Lifetime Warranty