

**IEC Certified (IECEX), Intrinsically Safe Accelerometer, Side Exit Connector/Cable, 100 mV/g**

Section I - Vibration Sensors



Actual Product Size Shown

IECEX



**Requires Intrinsically Safe Barrier**

## Product Features

### IECEX Approvals

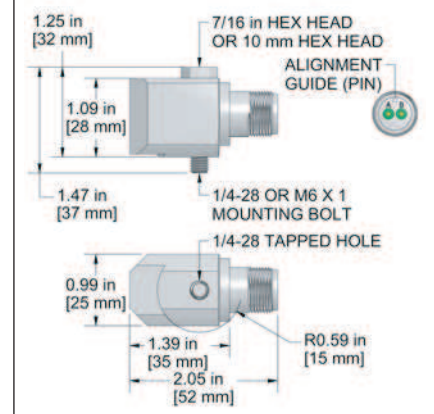
High Performance in a Low Cost Sensor

- 0,5 - 8600 Hz (30 - 516,000 CPM) Frequency Response
- 100 mV/g Sensitivity ±10%
- Requires Intrinsic Safety Barrier (see page 348)

### AC956-1A

2 Pin Connector

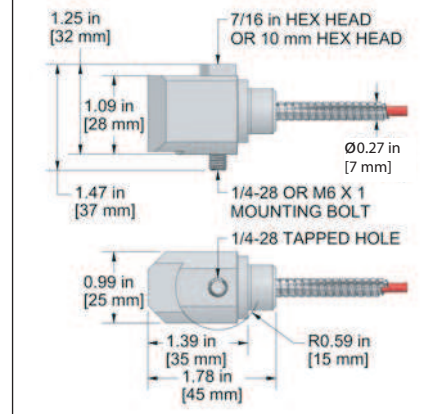
Connector Pin	Polarity
A	(+) Signal / Power
B	(-) Common



### AC956-3C

Armored Integral Cable

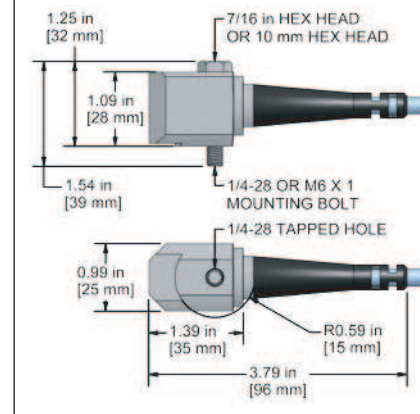
Conductor	Polarity
Red	(+) Signal / Power
Black	(-) Common
Shield	Cable Drain Wire



### AC956-9C

Integral Cable

Conductor	Polarity
Red	(+) Signal / Power
Black	(-) Common
Shield	Cable Drain Wire



Specifications	Standard	Metric
Part Number	AC956	M/AC956
Sensitivity ( ±10%)	100 mV/g	
Frequency Response (±3dB)	30-516,000 CPM	0,5-8600 Hz
Frequency Response (±10%)	60-360,000 CPM	1,0-6000 Hz
Dynamic Range	± 50 g, peak	
<b>Electrical</b>		
Settling Time	<3 Seconds	
Voltage Source (IEPE)	18-28 VDC	
Constant Current Excitation	2-10 mA	
Spectral Noise @ 10 Hz	6.5 µg/√Hz	
Spectral Noise @ 100 Hz	2 µg/√Hz	
Spectral Noise @ 1000 Hz	1.8 µg/√Hz	
Output Impedance	<100 ohm	
Bias Output Voltage	10-14 VDC	
Case Isolation	>10 <sup>8</sup> ohm	

Specifications	Standard	Metric
<b>Environmental</b>		
Temperature Range	-58 to 250°F	-50 to 121°C
Maximum Shock Protection	5,000 g, peak	
Electromagnetic Sensitivity	CE	
Sealing	IP68	
<b>Physical</b>		
Sensing Element	PZT Ceramic	
Sensing Structure	Shear Mode	
Weight	5.3 oz	150 grams
Case Material	316L Stainless Steel	
Mounting	1/4-28	
Connector (non-integral)	2 Pin MIL-C-5015	
Resonant Frequency	1,260,000 CPM	21000 Hz
Mounting Torque	2 to 5 ft. lbs.	2,7 to 6,8 Nm
Mounting Hardware	1/4-28 Captive Bolt	M6x1 Captive Bolt
Calibration Certificate	CA10	

## Ordering Information

Standard	AC956-1A (1/4-28 Captive Bolt)	AC956-3C - / (1/4-28 Captive Bolt)	AC956-9C - / (1/4-28 Captive Bolt)
Metric	M/AC956-1A (M6x1 Captive Bolt)	M/AC956-3C - / (M6x1 Captive Bolt)	M/AC956-9C - / (M6x1 Captive Bolt)

**Read Before Purchasing**  
Important information on  
**Regulatory Approvals and Requirements**  
on Page 77

Cable Termination Options: L Z

Backed by our Unconditional Lifetime Warranty

