

Premium Series, mini-MIL Accelerometer, High Frequency, Side Exit Connector/Cable, 100 mV/g

## mini-MIL Must Use J2X Series Connectors Product Features

Excellent Small Size, Low Profile Industrial Accelerometer

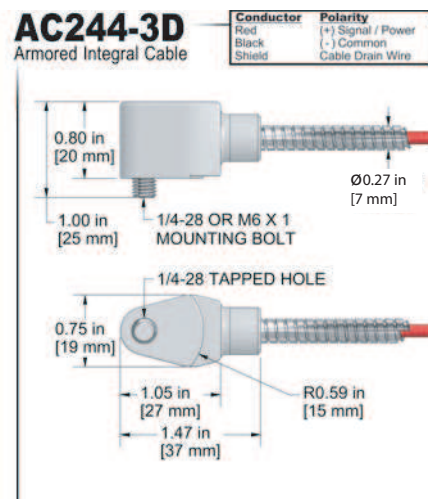
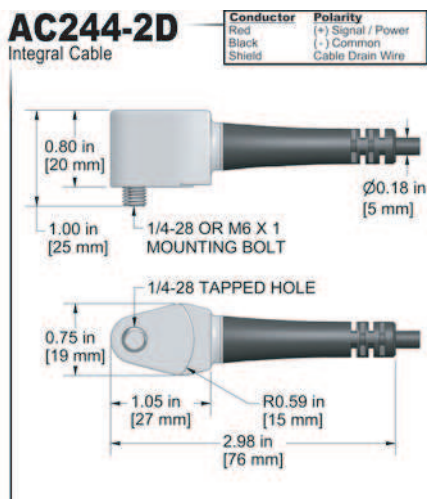
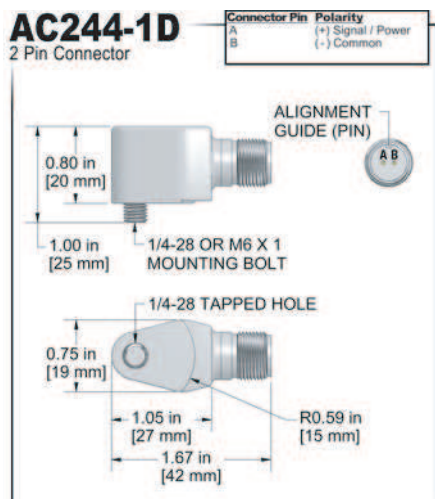
Premium Accelerometer, Great for Hard to Reach Areas



Actual Product Size Shown



- 2 Pin mini-MIL Connection
- Less Than 1 Inch (25 mm) High
- ±5% Sensitivity



Specifications	Standard	Metric
Part Number	AC244	M/AC244
Sensitivity ( ±5%)	100 mV/g	
Frequency Response (±3dB)	36-900,000 CPM	0,6-15000 Hz
Frequency Response (±10%)	60-600,000 CPM	1,0-10000 Hz
Frequency Response (±5%)	120-420,000 CPM	2,0-7000 Hz
Dynamic Range	± 50 g, peak	
<b>Electrical</b>		
Settling Time	<2.5 seconds	
Voltage Source (IEPE)	18-30 VDC	
Constant Current Excitation	2-10 mA	
Spectral Noise @ 10 Hz	30 µg/√Hz	
Spectral Noise @ 100 Hz	4 µg/√Hz	
Spectral Noise @ 1000 Hz	2 µg/√Hz	
Output Impedance	<100 ohm	
Bias Output Voltage	10-14 VDC	
Case Isolation	>10 <sup>8</sup> ohm	

Specifications	Standard	Metric
<b>Environmental</b>		
Temperature Range	-58 to 250°F	-50 to 121°C
Maximum Shock Protection	5,000 g, peak	
Electromagnetic Sensitivity	CE	
Sealing	IP68	
Submersible Depth (AC244-2D/3D)	200 ft.	60 m
<b>Physical</b>		
Sensing Element	PZT Ceramic	
Sensing Structure	Shear Mode	
Weight	2.1 oz	60 grams
Case Material	316L Stainless Steel	
Mounting	1/4-28	
Connector (non-integral)	2 Pin mini-MIL	
Resonant Frequency	1,920,000 CPM	33000 Hz
Mounting Torque	2 to 5 ft. lbs.	2,7 to 6,8 Nm
Mounting Hardware	1/4-28 Captive Bolt	M6x1 Captive Bolt
Calibration Certificate	CA10	

## Ordering Information

Standard	AC244-1D	AC244-2D - /	AC244-3D - /
	(1/4-28 Captive Bolt)	(1/4-28 Captive Bolt)  (length in feet) (termination)	(1/4-28 Captive Bolt)  (maximum armor length 100 ft.) (cable length in feet) (termination)
Metric	M/AC244-1D (M6x1 Captive Bolt)	M/AC244-2D - / (M6x1 Captive Bolt)  (length in meters) (termination)	M/AC244-3D - / (M6x1 Captive Bolt)  (maximum armor length 30 m) (cable length in meters) (termination)

Cable Termination Options: E F L Z